



22MM PLASTIC ROUND COMPLETE UNIT  
 COMBINATION: INDICATOR LIGHT WITH SMOOTH  
 LENSE NON-ILLUMINATED WITH LAMP HOLDER BA 9S  
 WITHOUT LAMP SCREW TERMINAL WITH HOLDER  
 CLEAR

Actuator:		
Design of the product		Complete unit round
Design of the operating mechanism		indicator light
Color / of the activation element		Clear
Material / of the activation element		plastic
Shape / of the activation element		Smooth lens
Number of switching positions		0
Product component / front ring		No
Product function / EMERGENCY STOP function		No

Holder:		
Material / of the holder		Plastic

Contact block/ lampholder:		
Design of the electrical connection		screw-type terminals
Number of switching elements		0
Number of NC contacts / for auxiliary contacts		0
Number of NO contacts / for auxiliary contacts		0
Number of changeover contacts / for auxiliary contacts		0
Product function / positive opening		No
Number of lampholders		1

<b>Execution of the mounting</b>		BA 9s, without lamp
<b>Product component / fluorescent materials</b>		No
<b>Product extension / optional / fluorescent materials</b>		Yes

#### Accessories:

**Product component / holder for 3 switching elements**

No

#### General technical data:

<b>Voltage type / of operating voltage</b>		AC/DC
<b>Operating voltage / rated value</b>		
• minimum	V	5
• maximum	V	400
<b>Resistance against shock</b>		
• for devices with incandescent lamp / according to IEC 60068-2-27		<= 30g
• for devices without incandescent lamp / according to IEC 60068-2-27		<= 50g
<b>Resistance against vibration / according to IEC 60068-2-6</b>		20 ... 200 Hz: 5g
<b>Reference code</b>		
• according to DIN EN 61346-2		P
• according to DIN 40719 extended according to IEC 204-2 / according to IEC 750		H
<b>Tightening torque / of the screws in the bracket / maximum</b>	N·m	1
<b>Ambient temperature</b>		
• during operating	°C	-25 ... +60
• during storage	°C	-40 ... +80
<b>Protection class IP</b>		IP66
<b>climatic class / during the operating phase / according to EN 60721</b>		3K6
<b>Mounting type</b>		front mounting
<b>Shape / of the installation hole</b>		round
<b>Installation width</b>	mm	28
<b>Mounting diameter</b>	mm	22
<b>Mounting height</b>	mm	11
<b>Mounting depth</b>	mm	49

#### Certificates/ approvals:

**General Product Approval****Test Certificates**

[Special Test Certificate](#)

**Shipping Approval****other**

[Confirmation](#)

[other](#)

[Environmental Confirmations](#)

**Further information:****Information- and Downloadcenter (Catalogs, Brochures,...)**

<http://www.siemens.com/industrial-controls/catalogs>

**Industry Mall (Online ordering system)**

<http://www.siemens.com/industrial-controls/mall>

**Cax online generator**

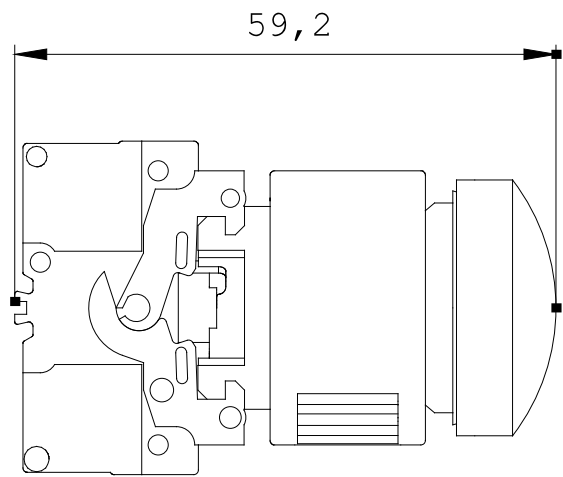
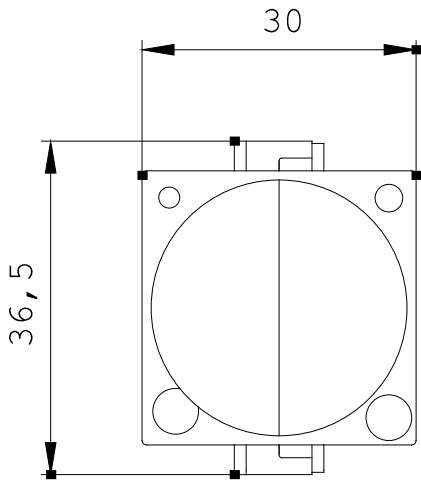
<http://www.siemens.com/cax>

**Service&Support (Manuals, Certificates, Characteristics, FAQs,...)**

<http://support.automation.siemens.com/WWW/view/en/3SB3204-6AA70/all>

**Image database (product images, 2D dimension drawings, 3D models, device circuit diagrams, ...)**

[http://www.automation.siemens.com/bilddb/cax\\_en.aspx?mlfb=3SB3204-6AA70](http://www.automation.siemens.com/bilddb/cax_en.aspx?mlfb=3SB3204-6AA70)



\W9.4444;  
\W7.5833;

last change:

Jul 7, 2014